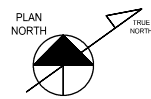


PROPOSED FLOOR PLAN

LEGEND

- PROPOSED INTERIOR NON LOAD BEARING PARTITION
- EXISTING CMU WALLS
- EXISTING FRAMING



FLOOR PLAN 1 LEVEL 1

SCALE: NTS
 ARCH REF: 1/A2.0

KAWNEER IR 501 IMPACT RESISTANT ALUMINUM STOREFRONT
 KAWNEER 301 IR MEDIUM STILE IMPACT ENTRANCES
 KAWNEER 8430TL-XO IMPACT RESISTANT ALUMINUM SLIDING WINDOWS

QUANTITY:

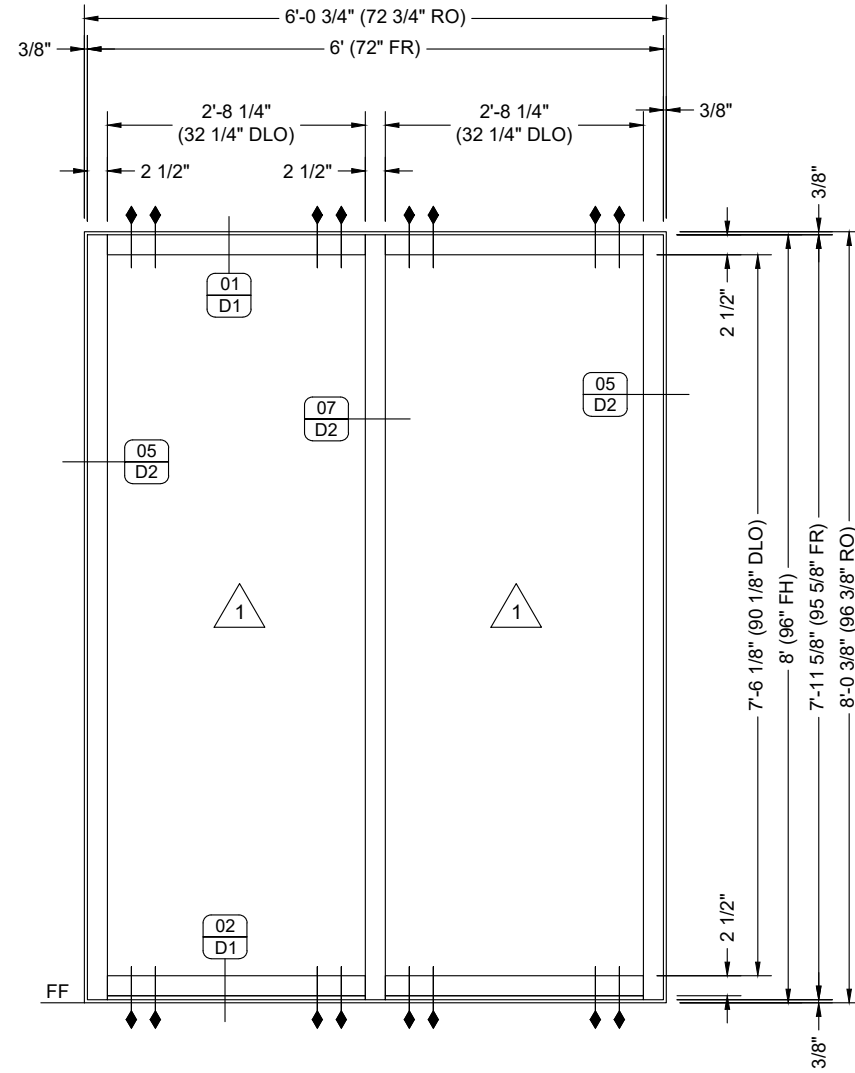
	TYPE A - 03	TYPE B - 01	TYPE C - 03	TYPE D - 01
<u>MAIN BUILDING</u>	TYPE E - 01			
<u>WASHROOM</u>	TYPE C - 02			
	TYPE F - 01	(FLOOR PLAN OF WASHROOM NOT ON SHOP DRAWINGS)		

NO.	DATE	BY	DESCRIPTION
1	04/12/21	fp	First Submittal

CONTRACTOR'S GLASS PRODUCTS
 7701 WEBER RD, CORPUS CHRISTI, TX 78315
 WORK (361) 854-8188 FAX (361) 854-4412

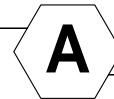
PROJECT SANDCASTLE CONDOMINIUMS
BUILDING RENOVATION
 ARCHITECT ECM-TX #10948
 (800) 637-7454
 PROJECT GALT CONSTRUCTION
 (800) 982-9440

PROJECT NO. CGP-2104-01	
DRAWN BY fp	DATE 04/12/21
SCALE NTS	
DRAWING FLOOR PLANS	
SHEET P1	



ELEVATION

QUANTITY: 03
 SCALE: 1/2" = 1'-0"
 ARCH REF: N/A



EXT STOREFRONT

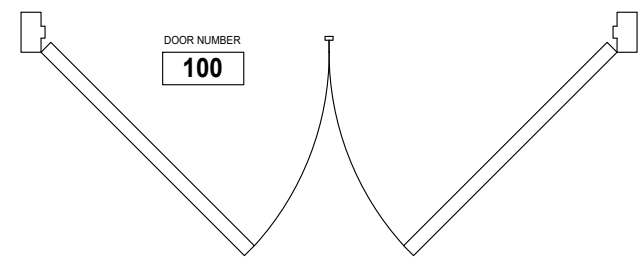
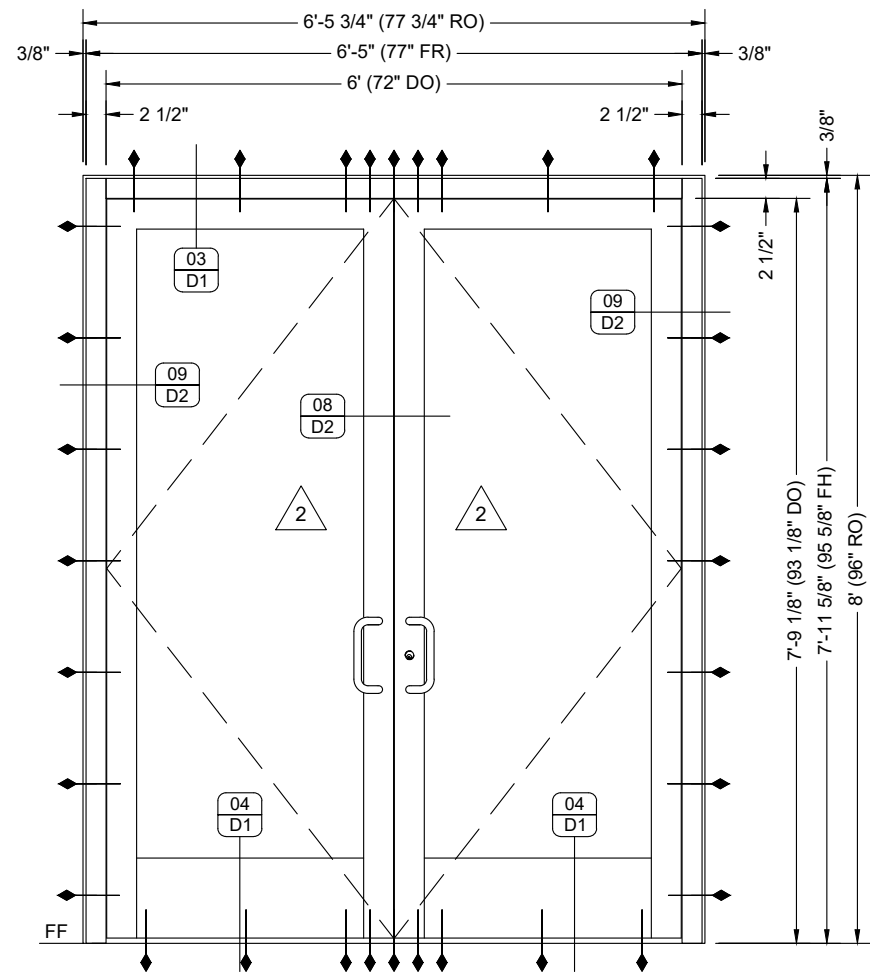
KAWNEER IR 501 ALUMINUM IMPACT STOREFRONT FRAMING

DATE	BY	DESCRIPTION
04/12/21	fp	First Submittal

CONTRACTOR'S GLASS PRODUCTS
 7701 WEBER RD, CORPUS CHRISTI, TX 78315
 WORK (361) 854-8188 FAX (361) 854-4412

PROJECT: SANDCASTLE CONDOMINIUMS
BUILDING RENOVATION
 ARCHITECT: ECM-TX #10948
 (850) 637-7454
 PROJECT: GALT CONSTRUCTION
 (850) 962-9440

PROJECT NO. CGP-2104-01	
DRAWN BY fp	DATE 04/12/21
SCALE 1/2" = 1'-0"	
DRAWING ELEVATIONS	
SHEET E1	

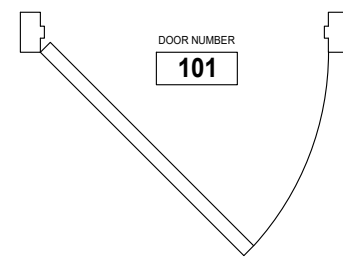
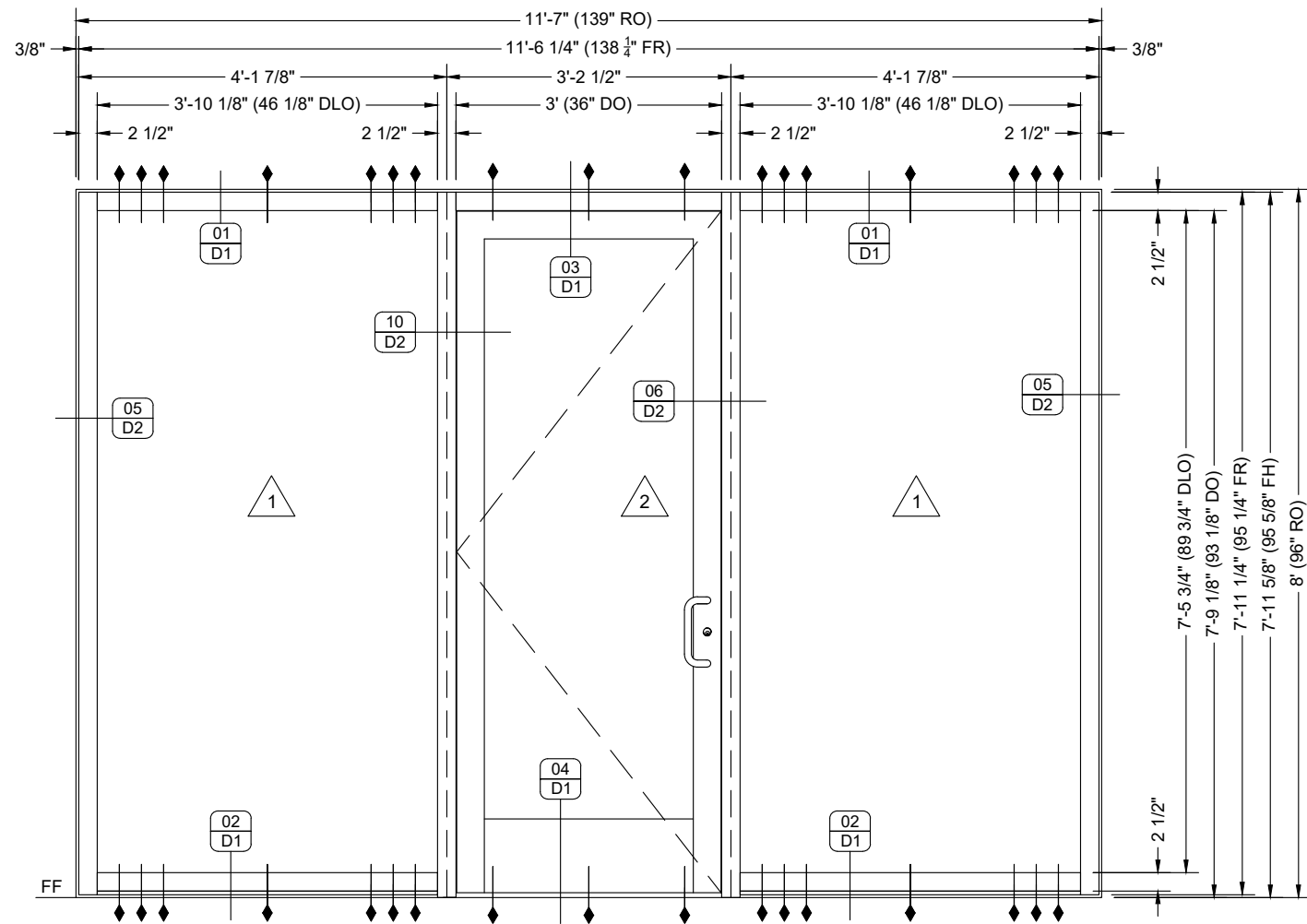


ELEVATION

QUANTITY: 01
 SCALE: 1/2" = 1'-0"
 ARCH REF: N/A

B EXT ENTRANCE

KAWNEER 350 IR IMPACT ENTRANCE ON KAWNEER IR 501 ALUMINUM STOREFRONT FRAMING



ELEVATION

QUANTITY: 01
 SCALE: 1/2" = 1'-0"
 ARCH REF: N/A

E EXT ENTRANCE

KAWNEER 350 IR IMPACT ENTRANCE ON KAWNEER IR 501 ALUMINUM STOREFRONT FRAMING

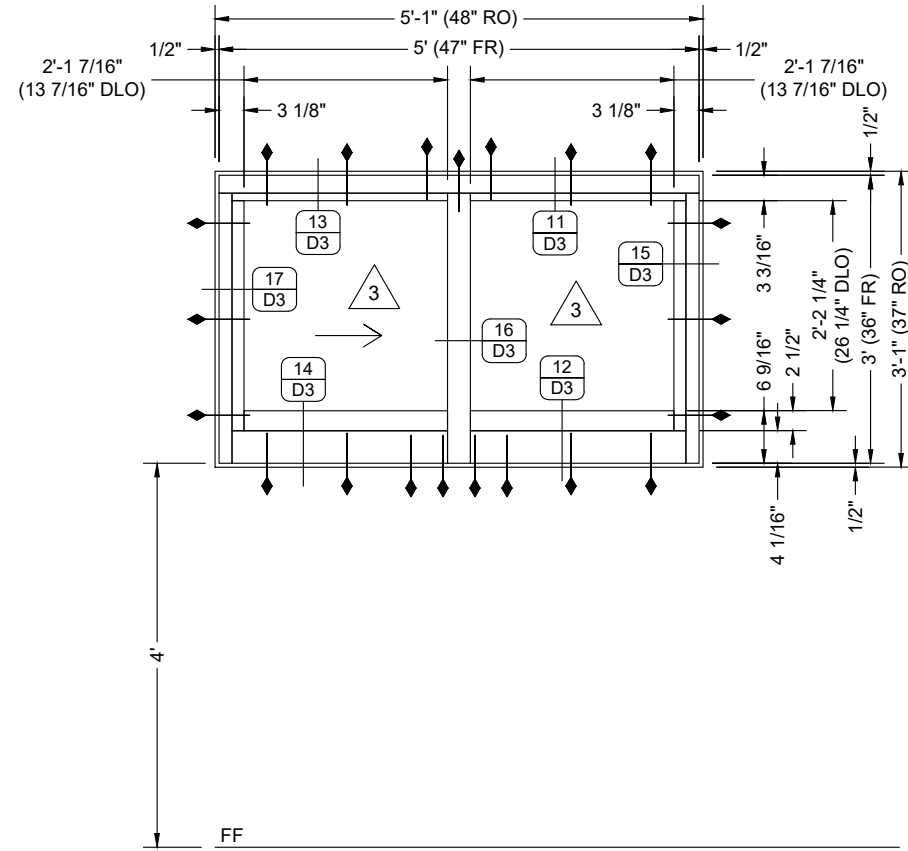
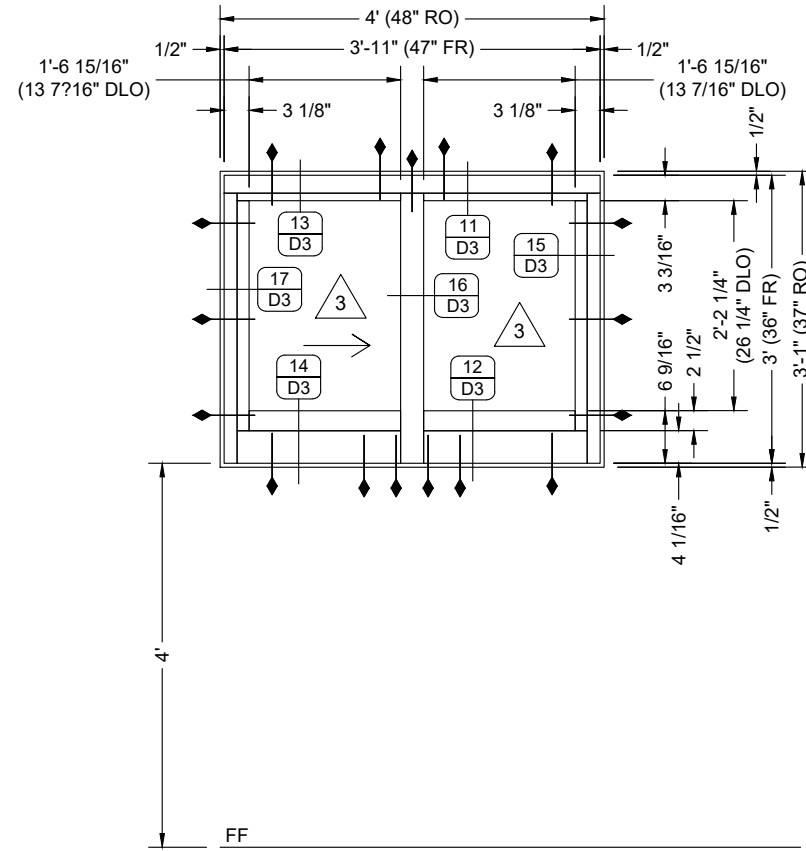
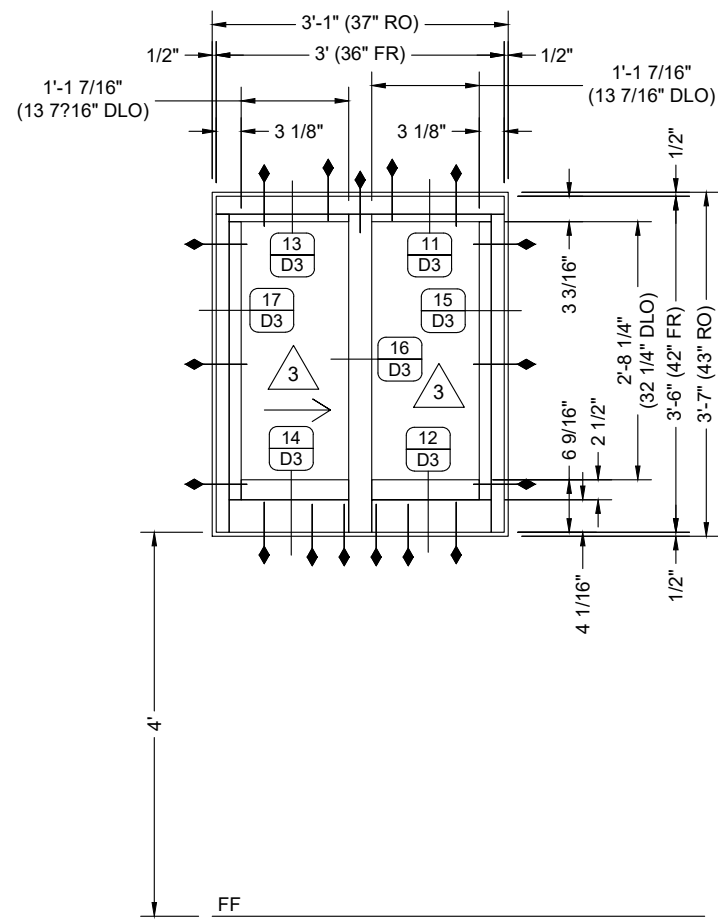
NOTE: ALL DIMENSIONS SHALL BE FIELD VERIFIED BEFORE FABRICATION.

DESCRIPTION	
1	First Submittal
fp	DATE
1	BY
SUB	DATE

CONTRACTOR'S GLASS PRODUCTS
 7701 WEBER RD, CORPUS CHRISTI, TX 78315
 WORK (361) 854-8188 FAX (361) 854-4412

PROJECT SANDCASTLE CONDOMINIUMS
BUILDING RENOVATION
 ARCHITECT ECM-TX #10948
 (800) 637-7454
 PROJECT GALT CONSTRUCTION
 (888) 962-9440

PROJECT NO.	
CGP-2104-01	
DRAWN BY	DATE
fp	04/12/21
SCALE	
1/2" = 1'-0"	
DRAWING	
ELEVATIONS	
SHEET	
E2	



ELEVATION



EXT STOREFRONT

QUANTITY: 01
 SCALE: 1/2" = 1'-0"
 ARCH REF: N/A

KAWNEER 8430TL-XO IMPACT RESISTANT HORIZONTAL SLIDER

ELEVATION



EXT STOREFRONT

QUANTITY:
 MAIN BLDG - 03
 WASHROOM - 02
 TOTAL - 05
 SCALE: 1/2" = 1'-0"
 ARCH REF: N/A

KAWNEER 8430TL-XO IMPACT RESISTANT HORIZONTAL SLIDER

ELEVATION



EXT STOREFRONT

QUANTITY:
 WASHROOM - 01
 (THIS WINDOW IS NOT ON THE FLOOR PLAN OF THE SHOP DRAWINGS)
 SCALE: 1/2" = 1'-0"
 ARCH REF: N/A

KAWNEER 8430TL-XO IMPACT RESISTANT HORIZONTAL SLIDER

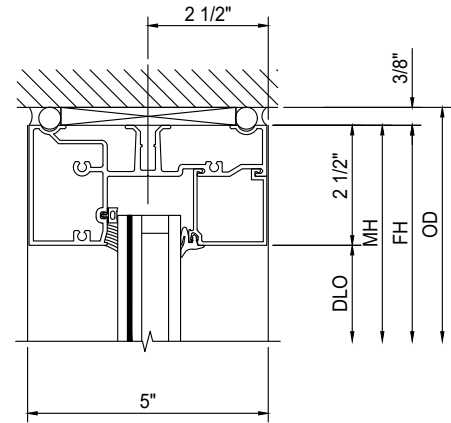
NOTE: ALL DIMENSIONS SHALL BE FIELD VERIFIED BEFORE FABRICATION.

NO.	DATE	DESCRIPTION
1	04/12/21	First Submittal
fp		BY
SUB		

CONTRACTOR'S GLASS PRODUCTS
 7701 WEBER RD, CORPUS CHRISTI, TX 78315
 WORK (361) 854-8188 FAX (361) 854-4412

PROJECT: SANDCASTLE CONDOMINIUMS
BUILDING RENOVATION
 ARCHITECT: ECM-TX #10948
 (850) 537-7454
 PROJECT: GALT CONSTRUCTION
 (850) 962-9440

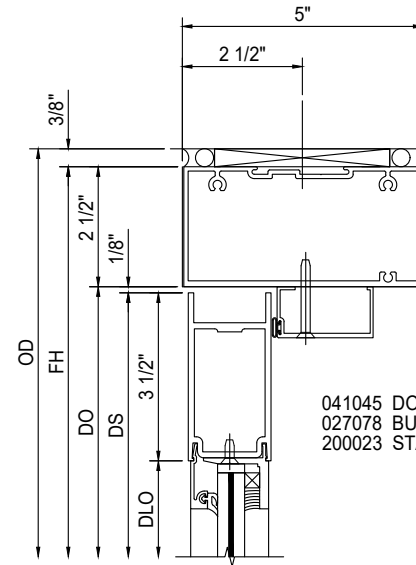
PROJECT NO.	CGP-2104-01
DRAWN BY	fp
DATE	04/12/21
SCALE	1/2" = 1'-0"
DRAWING	ELEVATIONS
SHEET	E3



575103 IR 501 STANDARD SILL/HEAD
 575104 IR 501 GLASS STOP

DETAIL **01** HEAD

SCALE: 3" = 1'-0"
 ARCH REF: N/A KAWNEER IR 501 ALUMINUM STOREFRONT FRAMING

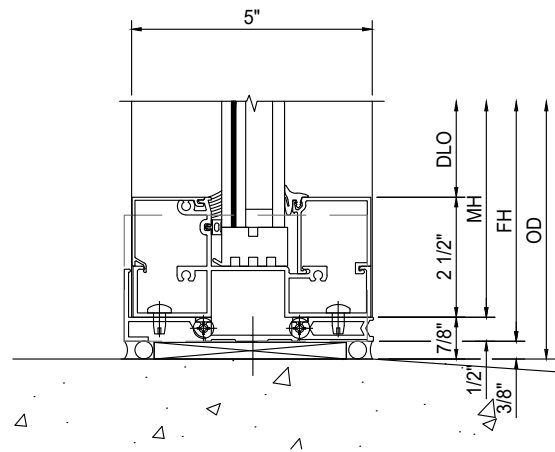


041045 DOOR STOP
 027078 BULB DOOR WEATHERING
 200023 STANDARD 350 TOP RAIL

DETAIL **03** DOOR HEADER

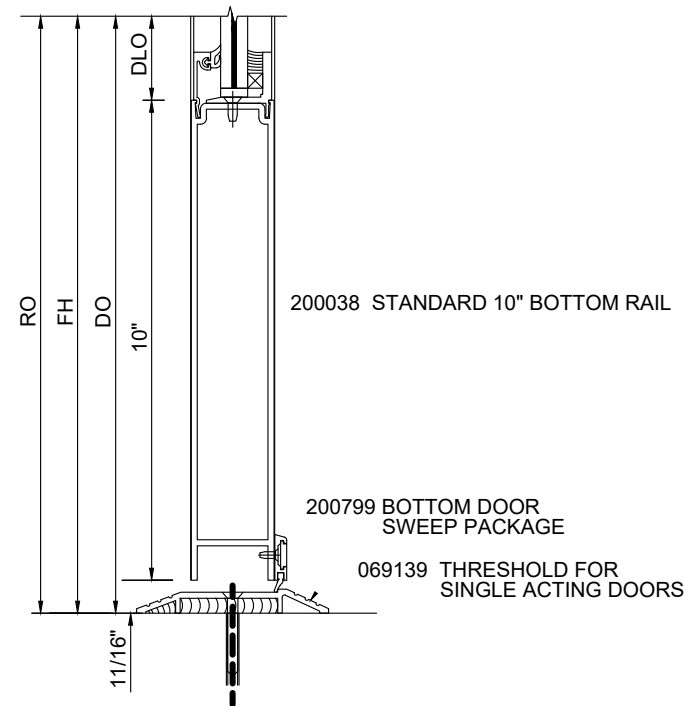
SCALE: 3" = 1'-0"
 ARCH REF: N/A KAWNEER 350 IR IMPACT RESISTANT OUT-SWING ENTRANCE ON IR 501 FRAME

575158 IR 501 OPTIONAL SILL
 575157 FLASHING
 575208 END DAM
 575159 IR 501 OPTIONAL SILL COVER
 575104 IR 501 GLASS STOP



DETAIL **02** SILL

SCALE: 3" = 1'-0"
 ARCH REF: N/A KAWNEER IR 501 ALUMINUM STOREFRONT FRAMING



DETAIL **04** BOTTOM RAIL

SCALE: 3" = 1'-0"
 ARCH REF: N/A KAWNEER 350 IR IMPACT RESISTANT OUT-SWING ENTRANCE

CONTRACTOR'S GLASS PRODUCTS
 7701 WEBER RD, CORPUS CHRISTI, TX 78315
 WORK (361) 854-8188 FAX (361) 854-4412

PROJECT SANDCASTLE CONDOMINIUMS
BUILDING RENOVATION
 ARCHITECT ECM-TX #10948
 (860) 637-7454
 PROJECT GALT CONSTRUCTION
 (888) 962-9440

PROJECT NO. CGP-2104-01	
DRAWN BY fp	DATE 04/12/21
SCALE 3" = 1'-0"	
DRAWING DETAILS	
SHEET D1	

NO.	DATE	BY	DESCRIPTION
1	04/12/21	fp	First Submittal